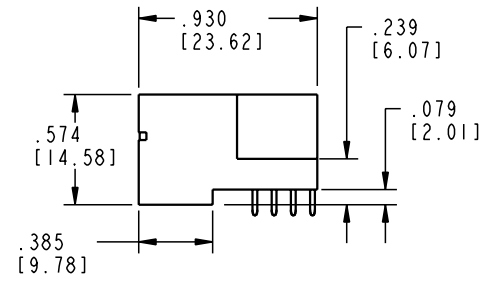
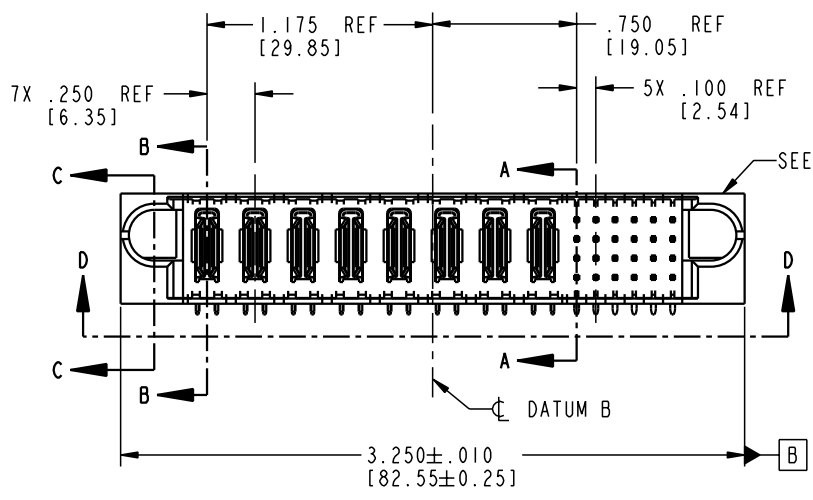
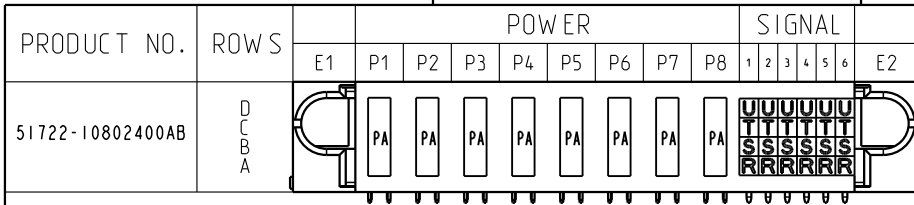


Tous droits strictement réservés. Reproduction ou communication o des tiers interdite sous quelque forme que ce soit sans autorisation écrite du propriétaire. Propriété de c FCI. Droits de reproduction FCI.

All rights strictly reserved. Reproduction or issue to third parties in any form whenever is not permitted without written authority from the proprietor. Property of FCI. Copyright FCI.



CODE	DIM "M" MATING LENGTH	CONTACT TYPE
R	.270 [6.86]	SIGNAL
S	.270 [6.86]	SIGNAL
T	.270 [6.86]	SIGNAL
U	.270 [6.86]	SIGNAL
PA	N/A [N/A]	POWER

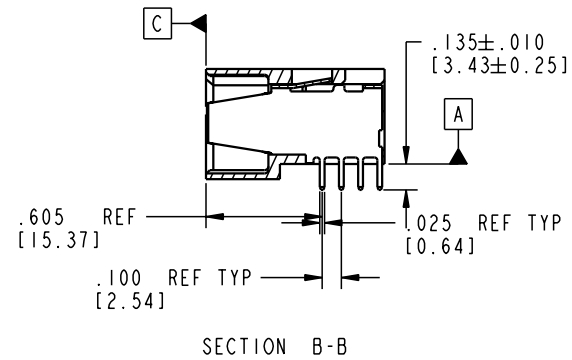
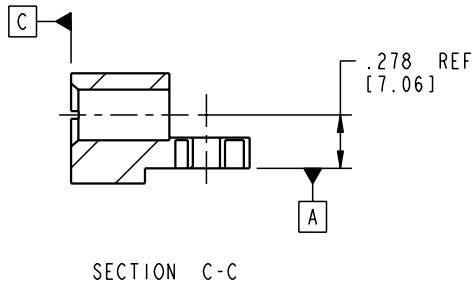
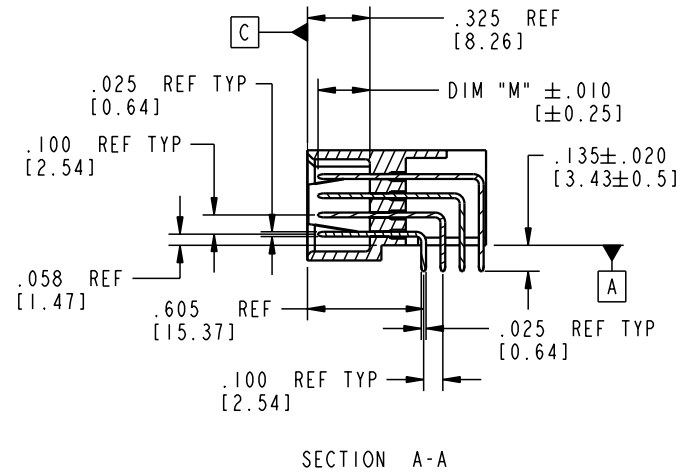
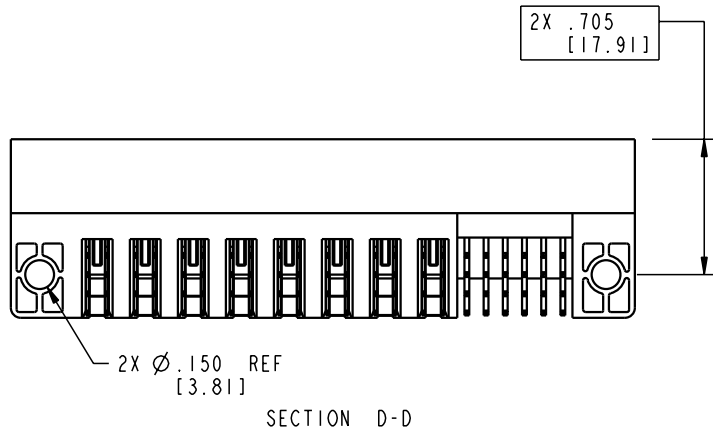
mat'l code				SEE NOTE 2		tolerances unless otherwise specified		CUSTOMER		 www.fciconnect.com	
ltr	ecn no.	dr	date	linear	.XX±.01/0.X±0.3		COPY		title		
A	V12539	JWS	11/27/01		.XXX±.005/0.XXX±0.13		projection		8P + 24S		
B	V04-0497	TAB	05/13/04		.XXX±.0020/0.XXX±0.051				RIGHT ANGLE SOLDER HEADER		
				angles	0° ± 2°		INCH/MM		product family		code
				dr	J. SHAFFER	11/27/01	scale		PwrBlade		213
				engr	M. MOSTOLLER	11/27/01	1:1		size		sheet
				chr	M. MOSTOLLER	11/27/01			A 51722-10802400AB		1 of 4
				appd	M. MOSTOLLER	11/27/01					
sheet index	revision sheet	B	B	B	B						
		1	2	3	4						

Pro/E 3 cage code 22526 4

Tous droits strictement réservés. Reproduction ou communication o des tiers interdite sous quelque forme que ce soit sans autorisation écrite du propriétaire. Propriete de c FCI. Droits de reproduction FCI.

All rights strictly reserved. Reproduction or issue to third parties in any form, whenever is not permitted without written authority from the proprietor. Property of FCI. Copyright FCI.

PRODUCT NUMBER  
51722-10802400AB



mat'l code				SEE NOTE 2		tolerances unless otherwise specified		CUSTOMER		 www.fciconnect.com	
ltr	ecn no.	dr	date	linear	.XX±.01/0.X±0.3		COPY		title		
B					.XXX±.005/0.XX±0.13		projection		8P + 24S		
					.XXX±.0020/0.XXX±0.051				RIGHT ANGLE SOLDER HEADER		
				angles	° ± °		INCH/MM		product family		code
				dr	J. SHAFFER	11/27/01	scale		PwrBlade		213
				enr	M. MOSTOLLER	11/27/01	1:1		size		sheet
				chr	M. MOSTOLLER	11/27/01			A 51722-10802400AB		2 of 4
				appd	M. MOSTOLLER	11/27/01					
sheet index	revision sheet										

Pro/E

cage code 22526

PDM: Rev:B

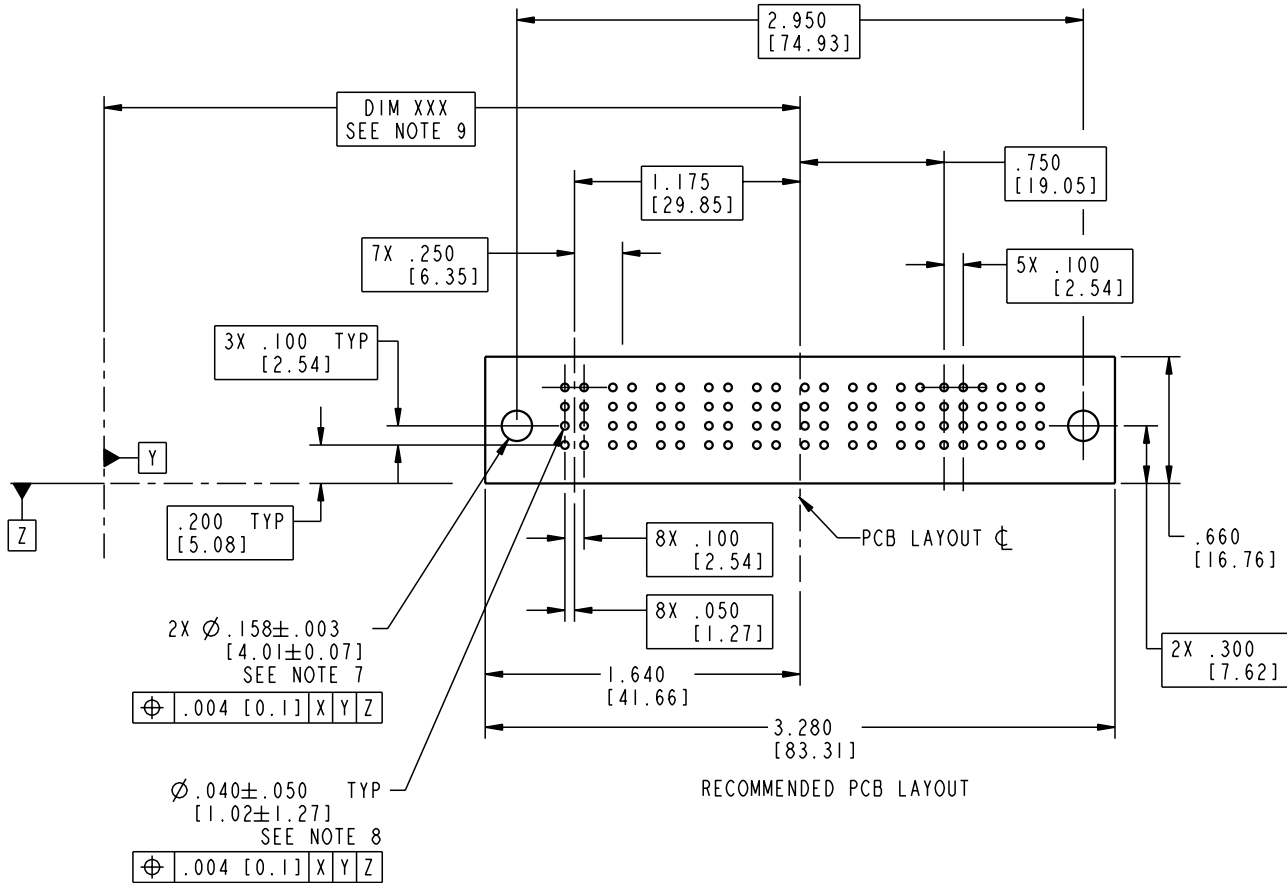
STATUS: Released


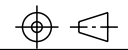
Printed: Aug 12, 2007

Tous droits strictement reserves. Reproduction ou communication a des tiers interdite sous quelque forme que ce soit sans autorisation ecrite du propriétaire. Propriete de c FCI. Droits de reproduction FCI.

All rights strictly reserved. Reproduction or issue to third parties in any form whatever is not permitted without written authority from the proprietor. Property of FCI. Copyright FCI.

PRODUCT NUMBER  
51722-10802400AB



mat'l code			SEE NOTE 2			tolerances unless otherwise specified			CUSTOMER			 www.fciconnect.com						
ltr	ecn no.	dr	date			linear			projection			title						
B						.XX±.01/0.X±0.3			COPY			8P + 24S RIGHT ANGLE SOLDER HEADER						
						.XXX±.005/0.XX±0.13						product family						
						.XXX±.0020/0.XXX±0.051			INCH/MM			PwrBlade						
						angles			scale			code						
						0° ± 7°			1:1			213						
						dr			M. MOSTOLLER 11/27/01			sheet						
						engr			M. MOSTOLLER 11/27/01			3 of 4						
						chr			M. MOSTOLLER 11/27/01									
						appd			M. MOSTOLLER 11/27/01									
sheet index	revision sheet																	

Pro/E

cage code 22526

PDM: Rev: B

STATUS: Released

Printed: Aug 12, 2007

Tous droits strictement réservés. Reproduction ou communication o des tiers interdite sous quelque forme que ce soit sans autorisation écrite du propriétaire. Propriete de c FCI. Droits de reproduction FCI.

All rights strictly reserved. Reproduction or issue to third parties in any form, whatever is not permitted without written authority from the proprietor. Property of FCI. Copyright FCI.

PRODUCT NUMBER  
51722-10802400AB

NOTES:

1. DIMENSIONS AND TOLERANCES ARE IN ACCORDANCE WITH ASME Y14.5M, 1994 UNLESS OTHERWISE SPECIFIED.

CONNECTORS NOTES:

② HOUSING MATERIAL: UL 94 V-0 GLASS FILLED HIGH TEMP THERMO PLASTIC  
POWER CONTACT MATERIAL: COPPER ALLOY  
SIGNAL PIN MATERIAL: COPPER ALLOY

3. PLATING:

SIGNAL PINS: 30u"/0.76um Au OVER 50u"/1.27um Ni  
POWER CONTACTS: 50u"/1.27um Ni UNDER ALL WITH 30u"/0.76um Au ON CONTACT AREA AND SnPb ON PCB INTERFACE

④ "MANUFACTURER" NAME, P/N, AND DATE CODE TO APPEAR ON THIS SURFACE.

5. PRODUCT SPECIFICATION GS-12-149.


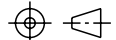
PCB - NOTES:

6. ALL HOLE DIAMETERS ARE FINISHED HOLE SIZE.

⑦ HOLD DOWN THROUGH HOLES ARE UNPLATED.

⑧  $\varnothing .0453 \pm 0.0010$  [1.151  $\pm$  0.025] DRILLED HOLES PLATED WITH 0.0003 [0.008] MIN SnPb OVER .001 [0.03] TO .003 [0.08] Cu PLATING TO ACHIEVE  $\varnothing .040 \pm .003$  [1.02  $\pm$  .07] HOLE.

⑨ "DIM XXX" TO BE DETERMINED BY THE CUSTOMER.

mat'l code				SEE NOTE 2		tolerances unless otherwise specified		CUSTOMER		 www.fciconnect.com	
ltr	ecn no.	dr	date	linear	.XX±.01/0.X±0.3		COPY		 title 8P + 24S RIGHT ANGLE SOLDER HEADER		
B					angles	.XXX±.005/0.XX±0.13 .XXX±.0020/0.XXX±0.051 0° ± 2°		INCH/MM			
				dr	J. SHAFFER	11/27/01	scale		product family PwrBlade		code
				enr	M. MOSTOLLER	11/27/01	1:1		size		213
				chr	M. MOSTOLLER	11/27/01			A		sheet
				appd	M. MOSTOLLER	11/27/01			51722-10802400AB		4 of 4
sheet index	revision sheet										

Pro/E

cage code 22526

PDM: Rev:B

STATUS: Released

Printed: Aug 12, 2007